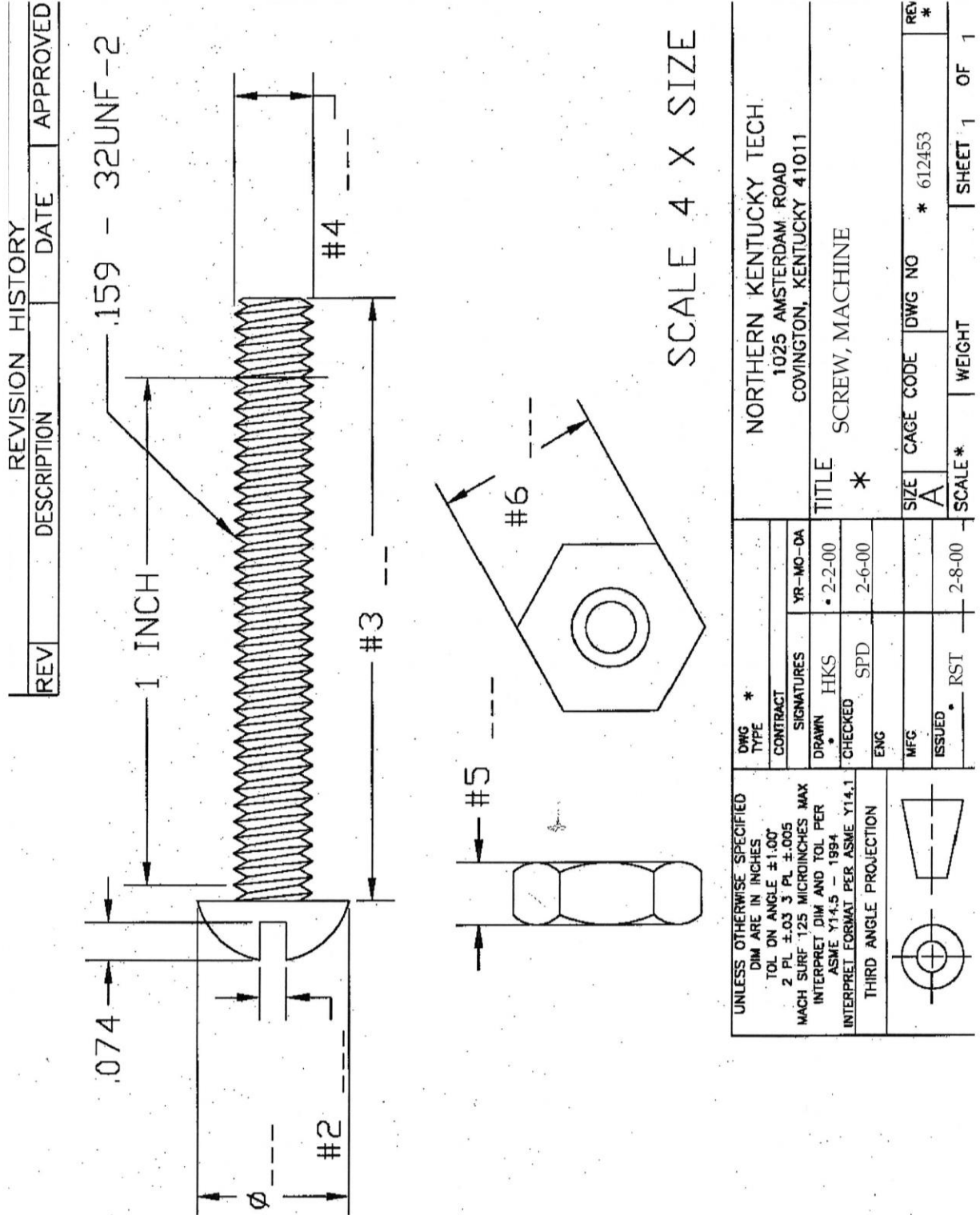




Industrial Print Reading

LAB 2: How to Read a Blueprint – Prints and Worksheet





Industrial Print Reading

LAB 2: How to Read a Blueprint – Prints and Worksheet

A blueprint is a drawing containing the instructions to complete a job. Several careers in the manufacturing industry require workers to read blueprints - eight of the nine careers featured in Careers in Manufacturing include blueprint reading as part of the preparation and instruction for those careers. The instructions contained on a blueprint are vital for a machinist to produce a part or for an inspector to check a part for accuracy.

Blueprints can be on several sizes of paper, regardless of size, most blueprints have the instructions for the job in a standard format. This allows for good communication among all the people who contribute to the completion of a job.

Look at the blueprint on the previous page. It is a drawing of a machine screw. Several components on that blueprint are standard for all blueprints. For example, the box in the lower right hand corner is called the title block and the box in the upper right hand corner is called the revision box. This blueprint also contains a supplementary block containing information about dimensions and tolerances. It is located to the far left of the title block.

Use the title block and the revision block of the blueprint on the previous page to answer the following questions.

1. What is the name of the company, or in this case school? _____
2. What is the title of the drawing? _____
3. According to the blueprint, what size is the drawing? _____
4. What is the drawing number? _____
5. How many sheets make up this drawing? _____
6. What is the scale for this drawing? _____
7. How many revisions have been made to this blueprint? _____
8. What are the initials of the person who made this drawing and the date? _____
9. What are the initials of the person who checked the drawing and the date? _____
10. What are the initials of the person who issued the drawing and the date? _____

M-SAMC's CC license does not apply to the Blueprint and Worksheet found in this document. The original materials for this work are from the Kentucky Community & Technical College System, which includes M-SAMC grant partners Jefferson Community & Technical College and Bluegrass Community & Technical College, and can be obtained from: http://www.gateway.kctcs.edu/~media/Gateway/Academics/STEM/AS8_HowtoReadaBlueprint.ashx





Industrial Print Reading

LAB 2: How to Read a Blueprint – Prints and Worksheet

SAFETY DISCLAIMER:

M-SAMC educational resources are in no way meant to be a substitute for occupational safety and health standards. No guarantee is made to resource thoroughness, statutory or regulatory compliance, and related media may depict situations that are not in compliance with OSHA and other safety requirements. It is the responsibility of educators/employers and their students/employees, or anybody using our resources, to comply fully with all pertinent OSHA, and any other, rules and regulations in any jurisdiction in which they learn/work. M-SAMC will not be liable for any damages or other claims and demands arising out of the use of these educational resources. By using these resources, the user releases the Multi-State Advanced Manufacturing Consortium and participating educational institutions and their respective Boards, individual trustees, employees, contractors, and sub-contractors from any liability for injuries resulting from the use of the educational resources.

DOL DISCLAIMER:

This product was funded by a grant awarded by the U.S. Department of Labor's Employment and Training Administration. The product was created by the grantee and does not necessarily reflect the official position of the U.S. Department of Labor. The Department of Labor makes no guarantees, warranties, or assurances of any kind, express or implied, with respect to such information, including any information on linked sites and including, but not limited to, accuracy of the information or its completeness, timeliness, usefulness, adequacy, continued availability, or ownership.

RELEVANCY REMINDER:

M-SAMC resources reflect a shared understanding of grant partners at the time of development. In keeping with our industry and college partner requirements, our products are continuously improved. Updated versions of our work can be found here: <http://www.msamc.org/resources.html>.