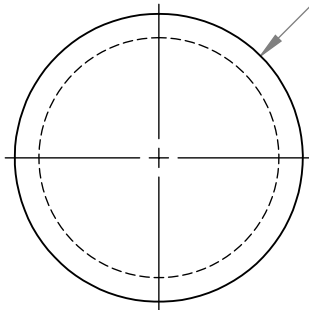
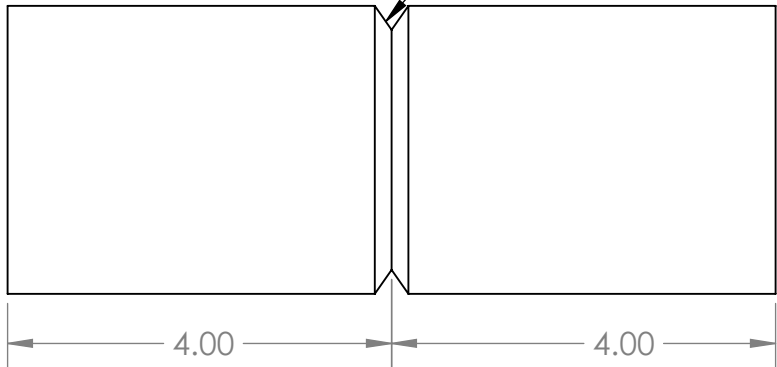


CH
70°



Ø 3.00

NOTES: FLAME CUT BEVEL
3/32 LAND
6010 3/32 ROOT
7018 3/32 FILL & COVER

PROPRIETARY AND CONFIDENTIAL

SolidWorks Educational Edition.
For Instructional Use Only.

THE INFORMATION CONTAINED IN THIS DRAWING IS THE PROPERTY OF <INSERT COMPANY NAME HERE>. ANY REPRODUCTION OR TRANSMISSION OF THIS DRAWING WITHOUT THE WRITTEN PERMISSION OF <INSERT COMPANY NAME HERE> IS PROHIBITED.

		UNLESS OTHERWISE SPECIFIED:	NAME	DATE		
		DIMENSIONS ARE IN INCHES	DRAWN	J.SIBERT	3/27/15	TITLE:
		TOLERANCES:	CHECKED			
		FRACTIONAL ±	ENG APPR.			
		ANGULAR: MACH ± BEND ±	MFG APPR.			
		TWO PLACE DECIMAL ±	Q.A.			
		THREE PLACE DECIMAL ±	COMMENTS:			SIZE DWG. NO. REV
		INTERPRET GEOMETRIC TOLERANCING PER:			A5G Drawing 0	
		MATERIAL			SCALE: 1:2	WEIGHT:
		FINISH			SHEET 1 OF 1	
		USED ON				
		APPLICATION				
		DO NOT SCALE DRAWING				